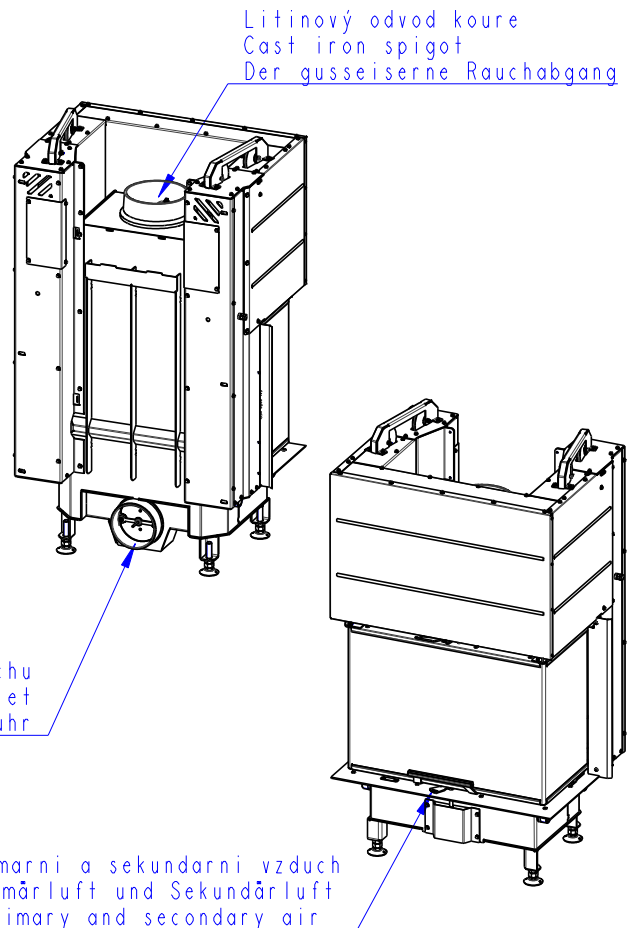
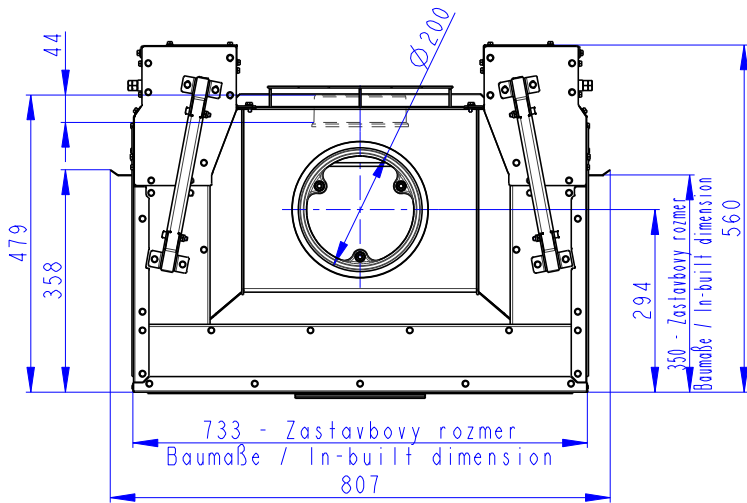
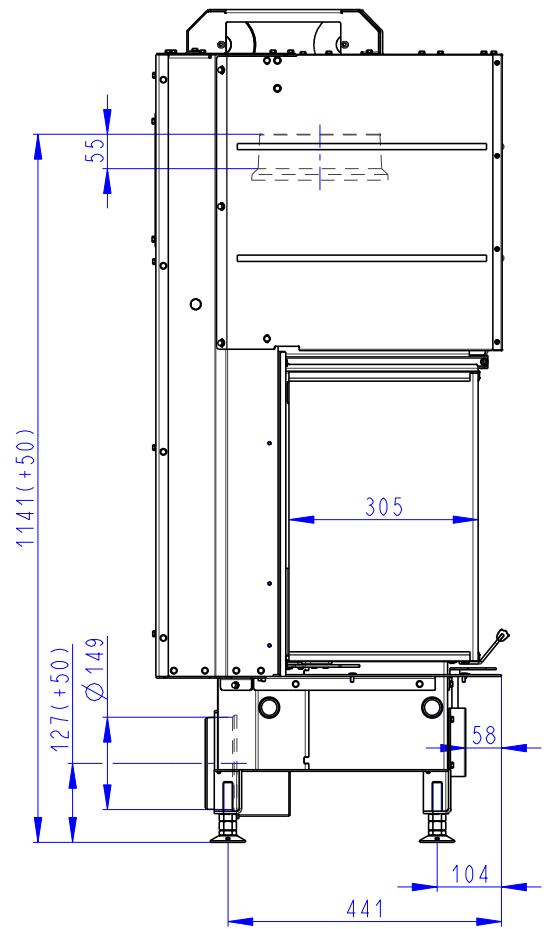
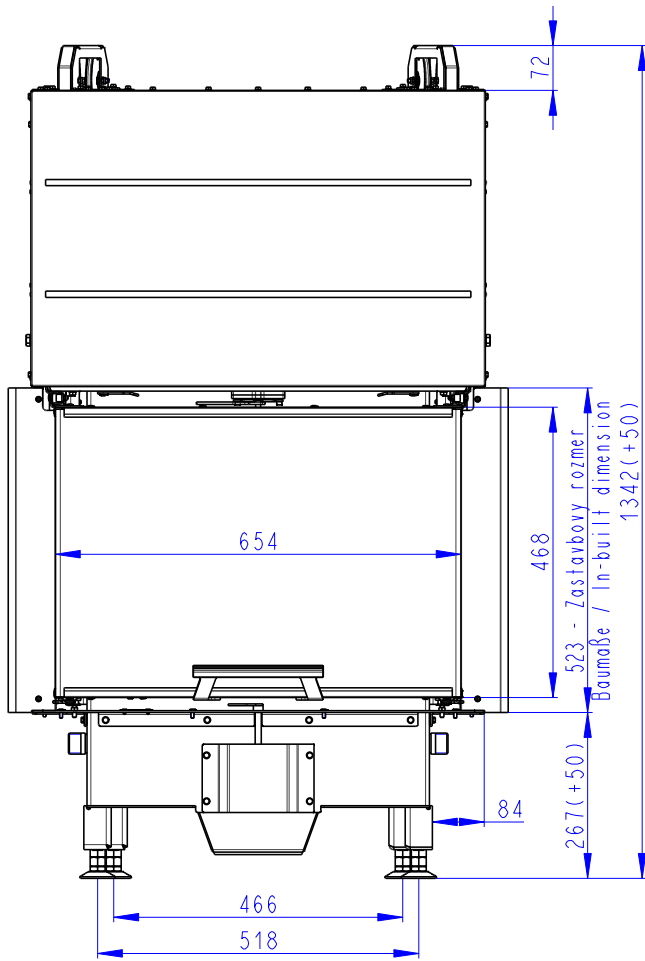


Rozměry v mm  
Maße in mm  
Dimensions in mm

Heat C 3g L 65.52.31.01(21)

210kg



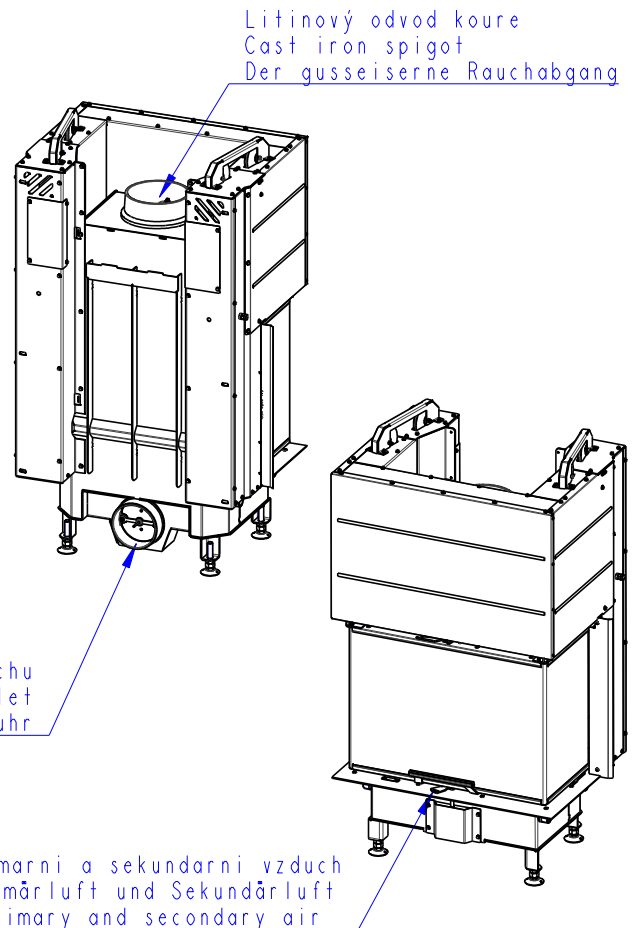
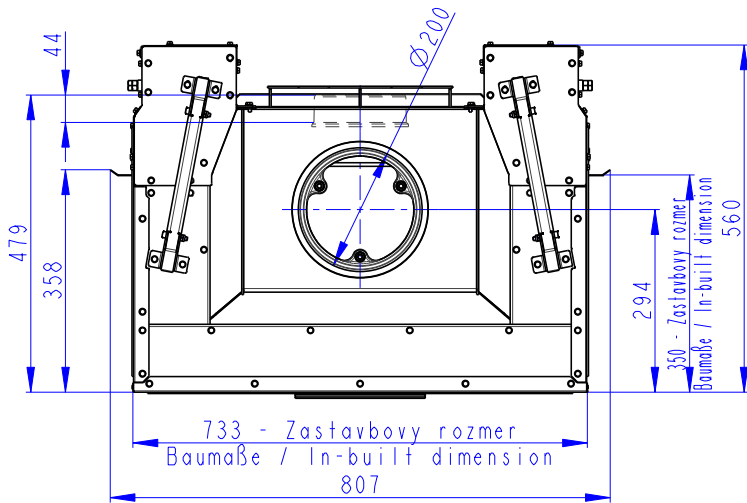
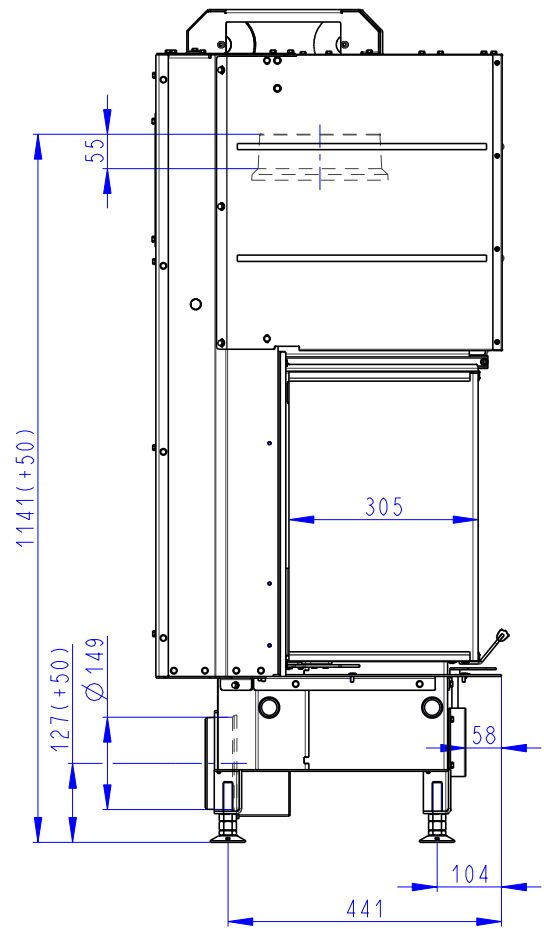
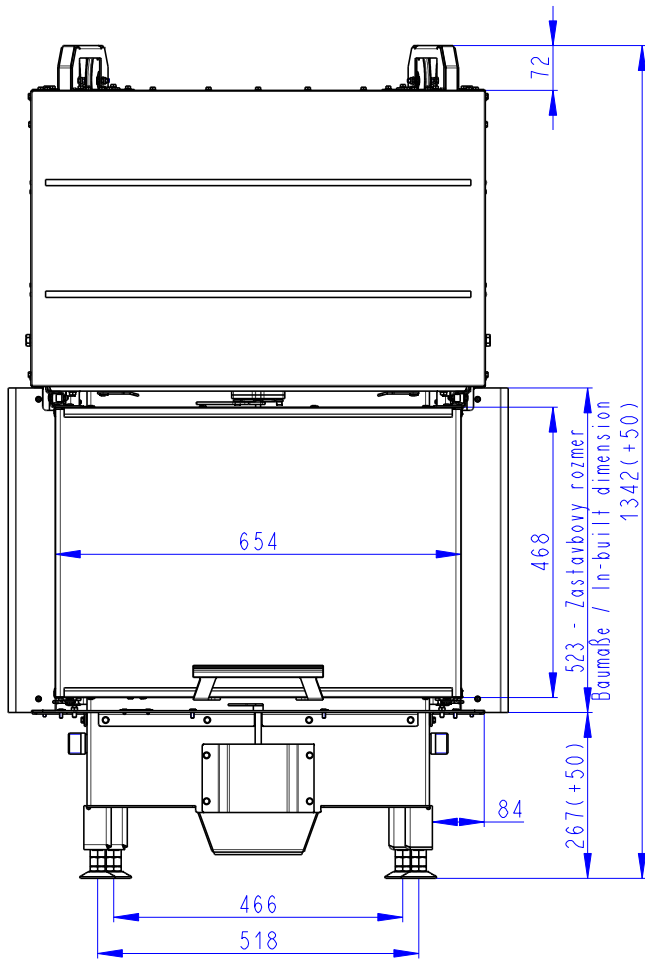
Centralni privod vzduchu  
Central air inlet  
Zentralluftzufuhr

Primarni a sekundarni vzduch  
Primärluft und Sekundärluft  
Primary and secondary air

Rozměry v mm  
Maße in mm  
Dimensions in mm

Heat C 3g L 65.52.31.01(21)

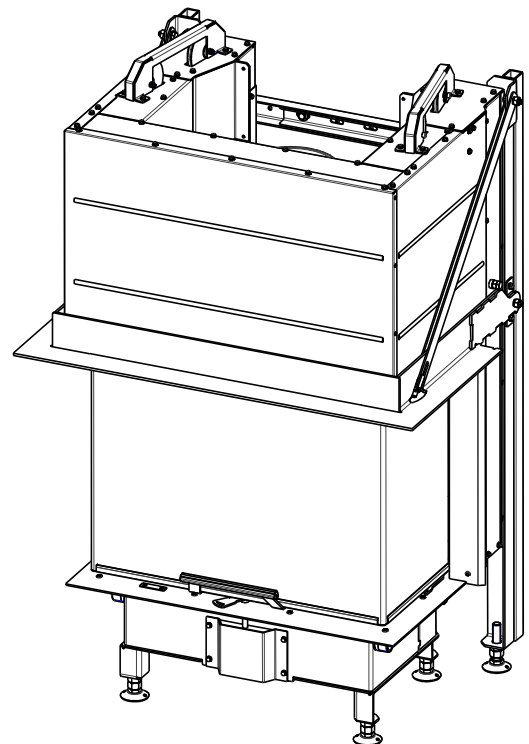
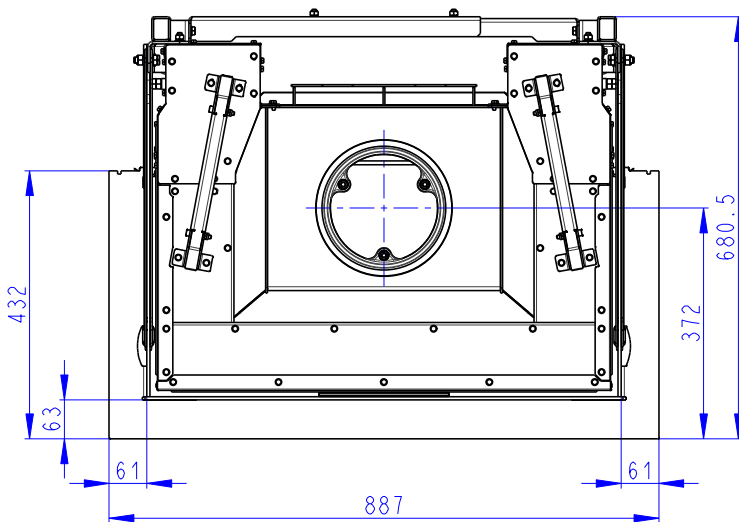
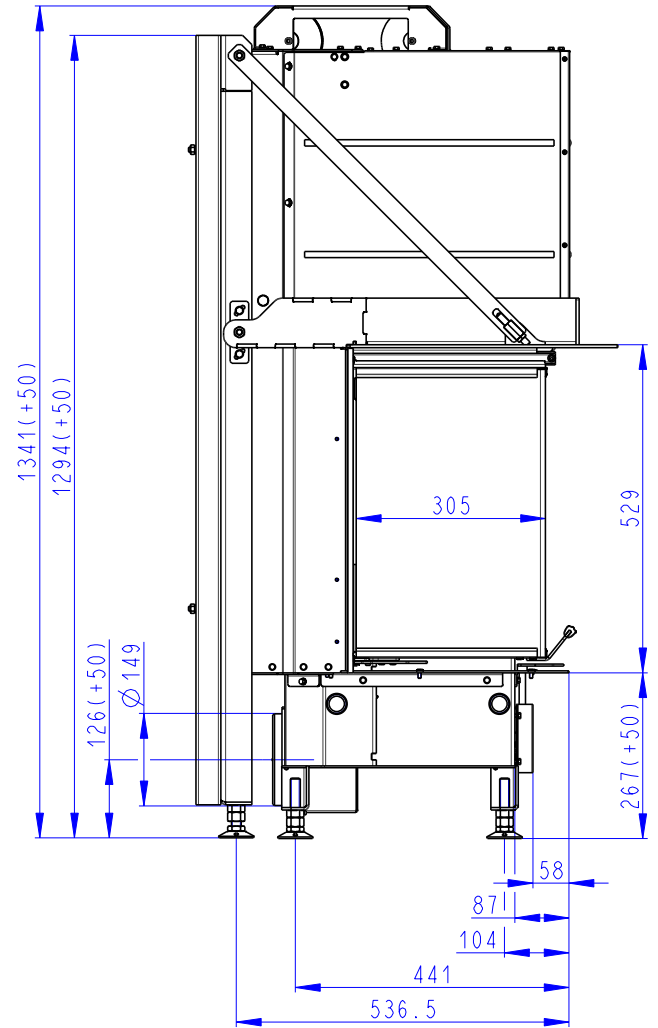
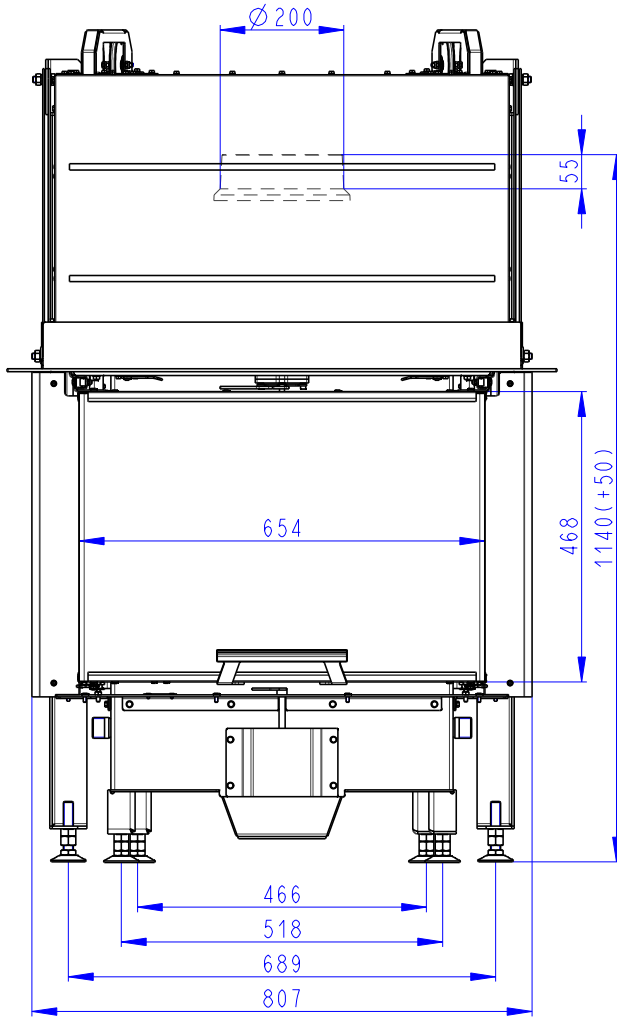
210kg

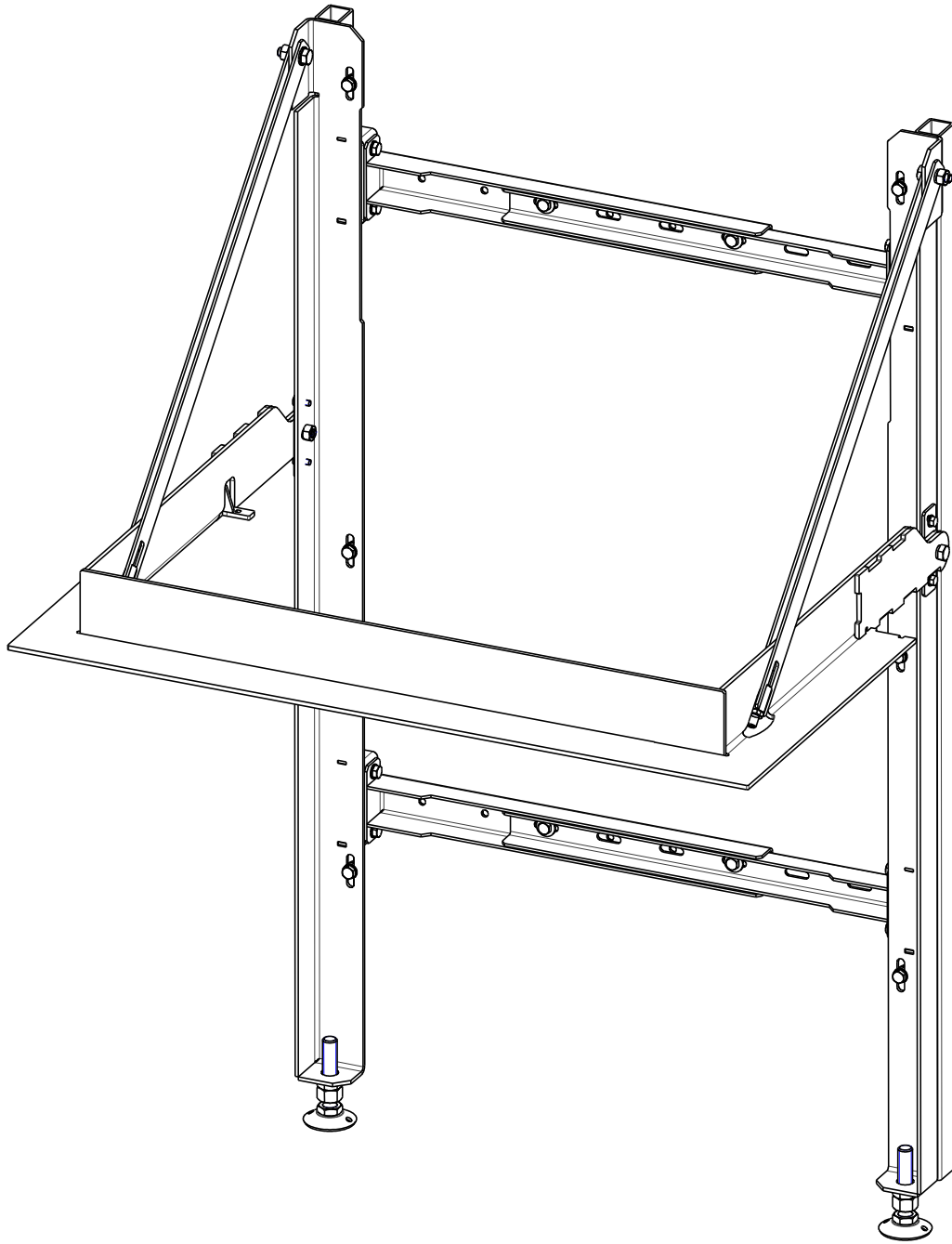


Rozmery v mm  
Maße in mm  
Dimensions in mm

Heat C 3g L 65.52.31.01(21) K1

245kg





Rozmery v mm  
Maße in mm  
Dimensions in mm

Heat C 3g L 65.52.31.01(21) K1

245kg

